

COOL FLAME 1000 PRO SEE-THROUGH FIREPLACE

WATER VAPOUR FIREPLACE

Net Zero fireplace with Optimyst® technology

OPTIMYST® TECHNOLOGY

This quiet ultrasonic device produces a mist that is then illuminated, simulating flames. This effect creates the illusion of fire, which is both visually appealing and safe.

ACTIVE LED

Multidimensional steam backlighting with the ability to change color and intensity, providing unique experiences. Special spectral lenses scatter light, allowing for the creation of flames in a full color spectrum.

CUSTOMIZABLE FIREBOX

Cool Flame Fireplace has a unique firebox that gives you the option to install the fireplace in one of three possible arrangements.



REMOTE CONTROL

The remote control feature designed for your convenience. With a practical remote, you can easily control all the features of the fireplace without having to get up from your couch.



WATER SYSTEM CONNECTION

Cool Flame Pro offers a direct connection to your home's water system, simplifying the refilling process. It eliminates the need for manual water tank refills, ensuring continuous operation and ease of maintenance.

SOUND OF CRACKLING WOOD

Includes a realistic wood crackling sound effect, enhancing the experience of a traditional fire. Cool Flame comes with an optional log set, enhancing the authentic fireplace experience and adding an extra touch of traditional charm to your modern fireplace.



Cool Flame 1000 Pro See-Through Fireplace

Water supply	supplied from water network
Maximum operation time	does not apply - unlimited
Heating function	does not apply
Flame height regulation	6 stages
Weight	38.0 kg
Water type	filtered tap water
Flue	not required
Power supply	230 V, 50 Hz
Finish	black powder coating
Materials	steel, glass
Application	for indoor use only

CONTROL OPTIONS



included



TUNNEL

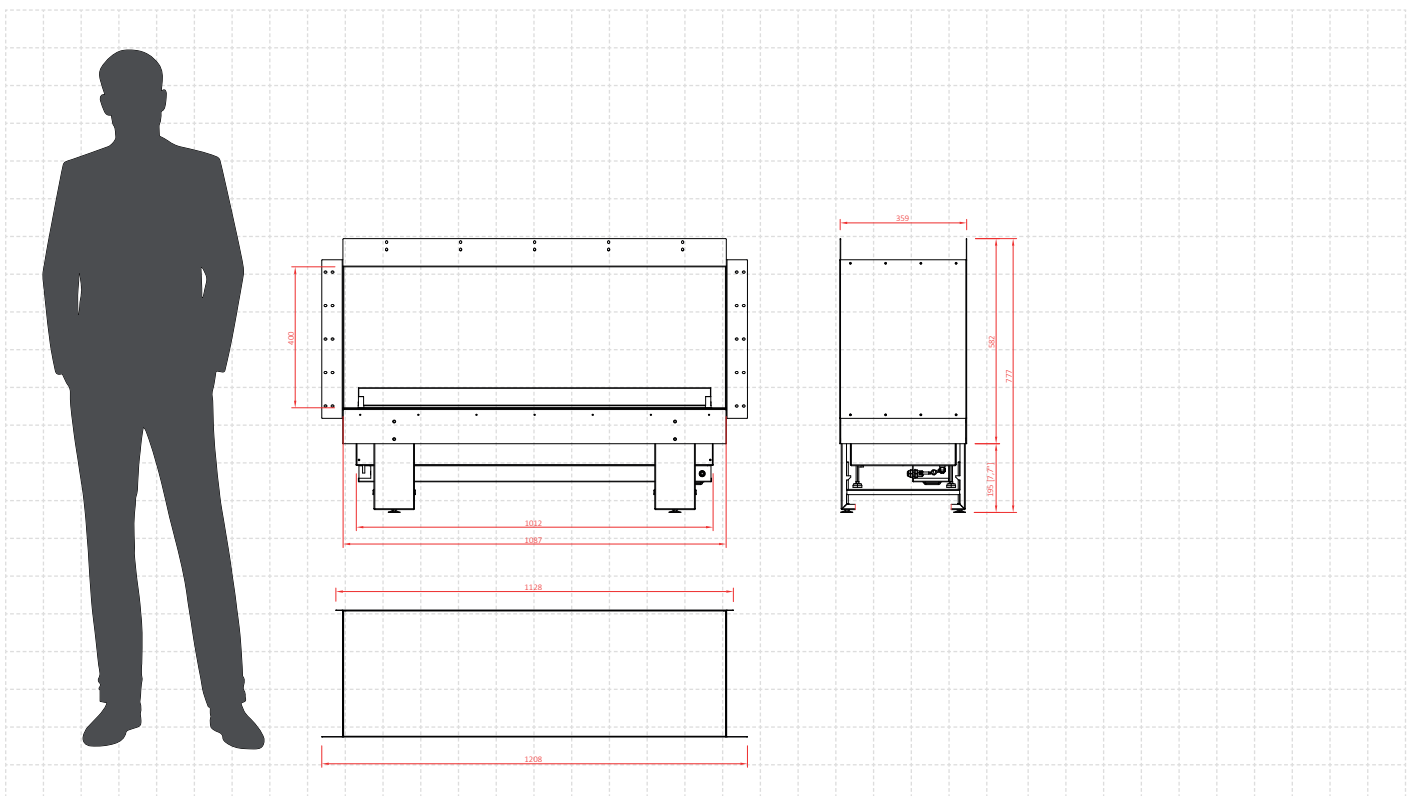


ROOM DIVIDER



ISLAND

CUSTOMIZABLE FIREBOX



All product specifications and data are subject to change without notice and are believed to be accurate as of the date hereof. Planika Sp. z o.o., its affiliates, agents, and employees, and all persons acting on its or their behalf (collectively, "Planika Sp. z o.o."), disclaim any and all liability for any errors, inaccuracies or incompleteness contained in any document or in any other disclosure relating to any product. To the maximum extent permitted by applicable law, Planika Sp. z o.o. disclaims any and all liability arising out of the application or use of any product. This document does not expand or otherwise modify Planika Sp. z o.o.'s terms and conditions of purchase, including but not limited to the warranty expressed therein. No license, express or implied, by estoppel or otherwise, to any intellectual property rights is granted by this document or by any conduct of Planika Sp. z o.o.. Customers using or selling Planika Sp. z o.o.'s products not expressly indicated for use in such applications do so entirely at their own risk and agree to fully indemnify Planika Sp. z o.o. for any damages arising or resulting from such use or sale. The images are indicative only.