

COMET BURNER

AUTOMATIC BEV® BURNER

Net Zero fireplace with the BEV Technology®

AUTOMATIC BEV® BURNER

The automatic burner with the patented BEV Technology® is the most advanced product in the industry ensuring the cleanest burning process without any smoke, smell or ash. The flame is produced by combusting ethanol vapours and has no direct contact with the liquid fuel.

INNOVATIVE TOUCH CONTROL PANEL

The touch control panel in Comet burner combines modernity with elegance, being concealed behind a flap. With it, you can easily adjust the fireplace settings, check fuel levels, or set a shut-off timer. Additionally, the child lock feature ensures safety for the youngest users.



NEW BURNER DESIGN

Comet with a unique star-shaped burner offers both style and functionality. The star design allows flames to spread evenly across the burner, creating an enchanting visual effect. This contemporary and whimsical burner is a striking addition to any modern home.

AUTOMATIC REFILLING SYSTEM

The automatic pump communicates with the device, delivering the necessary amount of fuel. There is no risk of overfilling the tank or spilling the fuel.



REMOTE CONTROL

Control the fire with the included remote, mobile app on your smartphone or home automation system (SHS).

Comet Burner

(BEV Technology®)

Fuel tank capacity	8.8 L
Maximum burn time	17 hours
Maximum heat output	6.6 kW
Minimum room cubature	66 m ³
Flame height regulation	6 stages
Fuel type	bioethanol 95 - 96,6%
Flue	not required
Air change rate	1 space volume per hour
Power supply	230 V
Finish	black powder coating
Materials	steel, galvanized steel, toughened glass
Application	for indoor use only

CONTROL OPTIONS



included



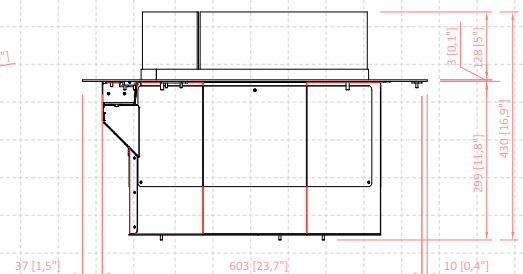
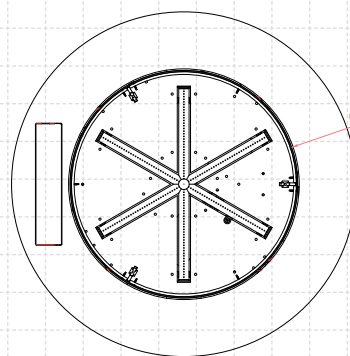
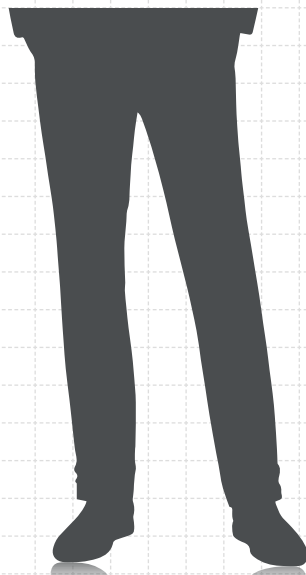
included



optional

'PLANIKA FLA4' APP

Control the fire with your smartphone!



custom burner finish
in RAL palette colour



custom size
available on request



O-TL certified
Manufactured to UL standards

